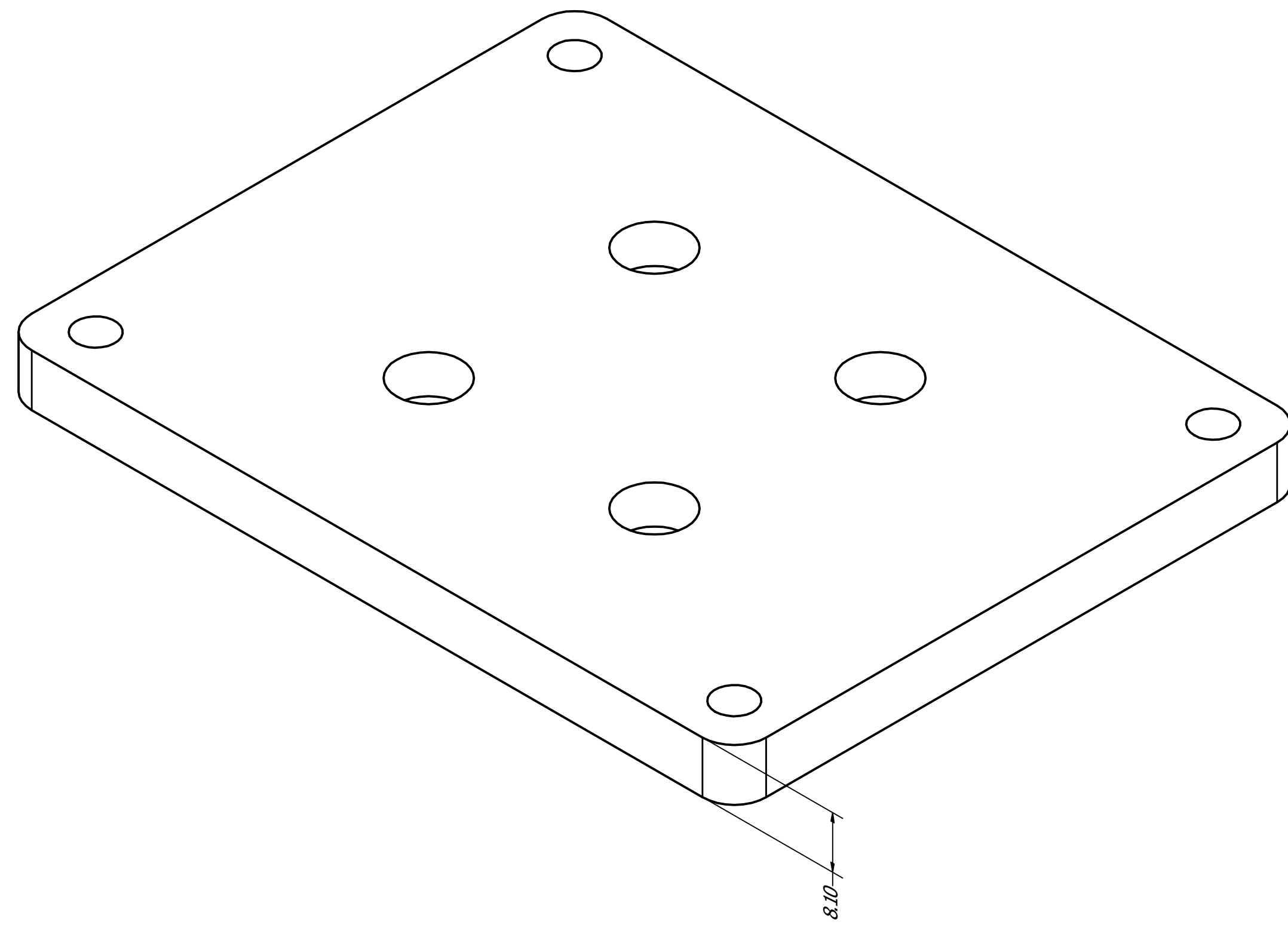


SECTION A-A
SCALE 2 : 1



REVISION HISTORY				
ZONE	REV	DESCRIPTION	DATE	APPROVED
	1		2021/04/27	

DRAWN Nataliya Petkova	2021/04/27	Mecademic Robotics		
CHECKED		TITLE		
QA		ATI Delta force sensor to Meca500 R3 bracket		
MFG		SIZE	DWG NO	REV
APPROVED		D	ATI Delta bracket	1
		SCALE	SHEET 1 OF 1	
		2 : 1		